

A

B

C

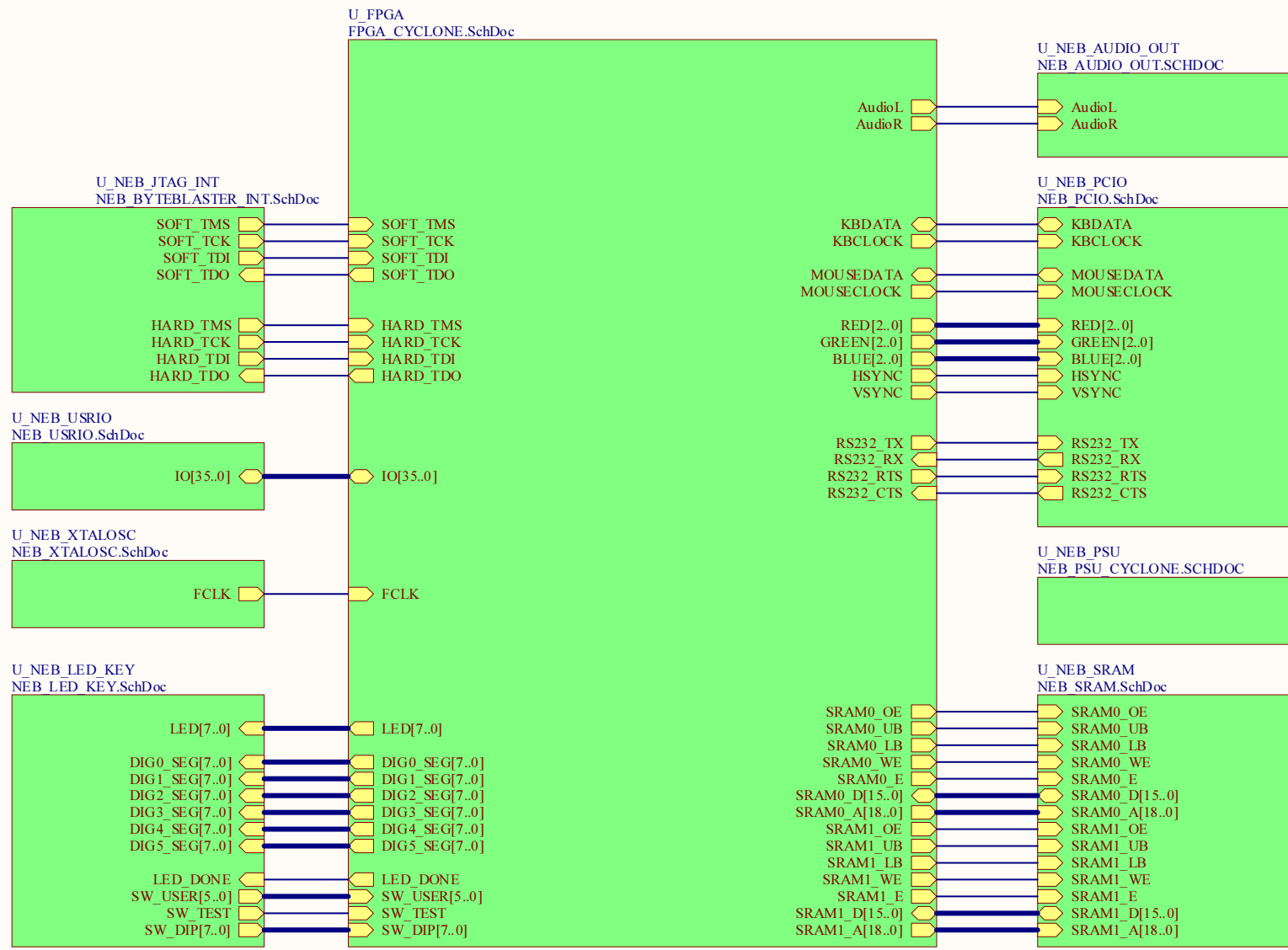
D

A

B

C

D

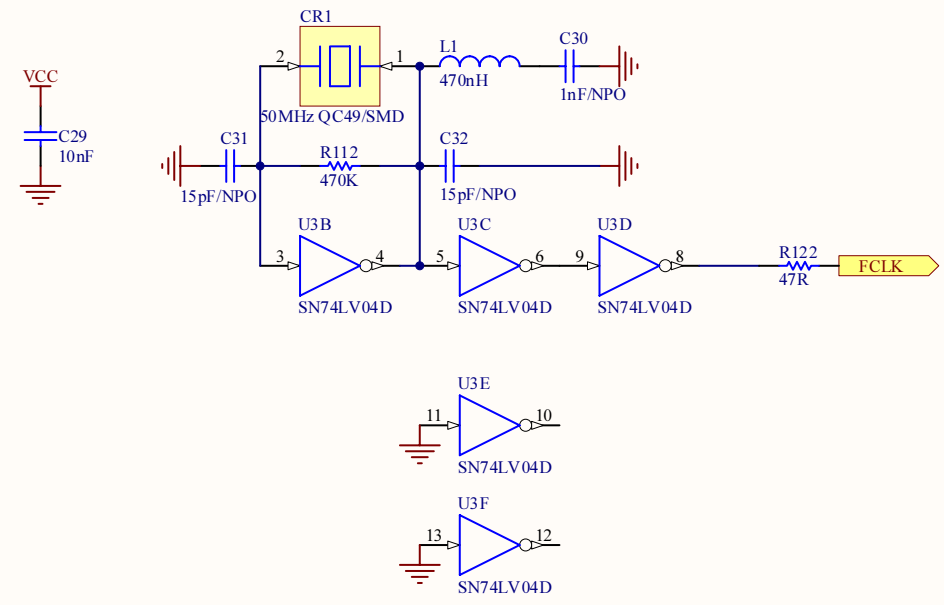


Title NEB - Cyclone Top		
Size: A	Number:	Revision: 1.02
Date: 30/09/2004	Time: 5:07:20 PM	Sheet 1 of 10
File: NEB_TOP_CYCLONE.SchDoc		

Altium Limited
 L3, 12a Rodborough Rd
 Frenchs Forest
 NSW
 Australia 2086



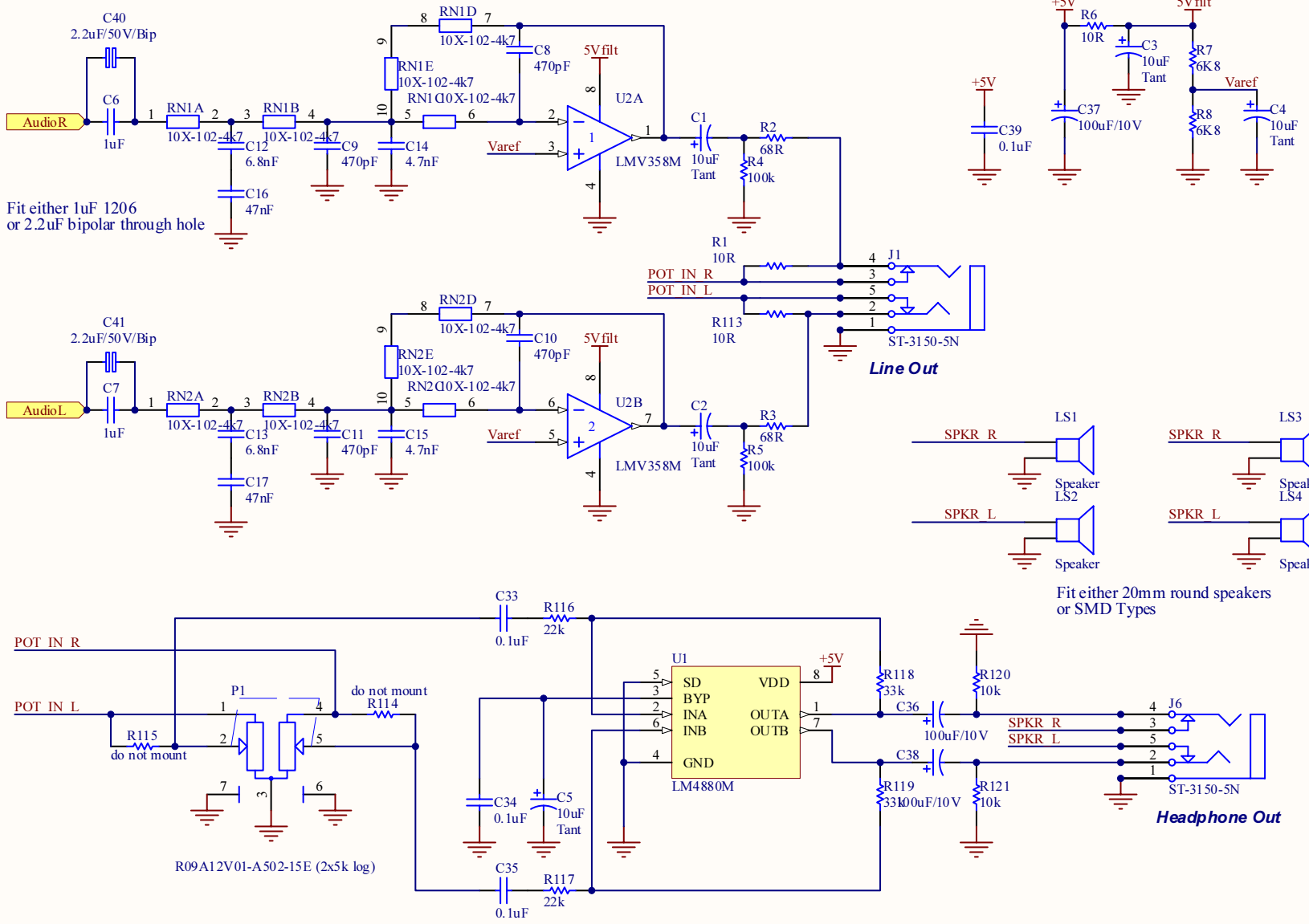
3rd Overtone 50MHz Crystal Oscillator



Title NEB - Crystal Oscillator		
Size: A	Number:	Revision: 1.02
Date: 30/09/2004	Time: 5:36:24 PM	Sheet 2 of 10
File: NEB_XTALOSC.SchDoc		

Altium Limited
 L3, 12a Rodborough Rd
 Frenchs Forest
 NSW
 Australia 2086

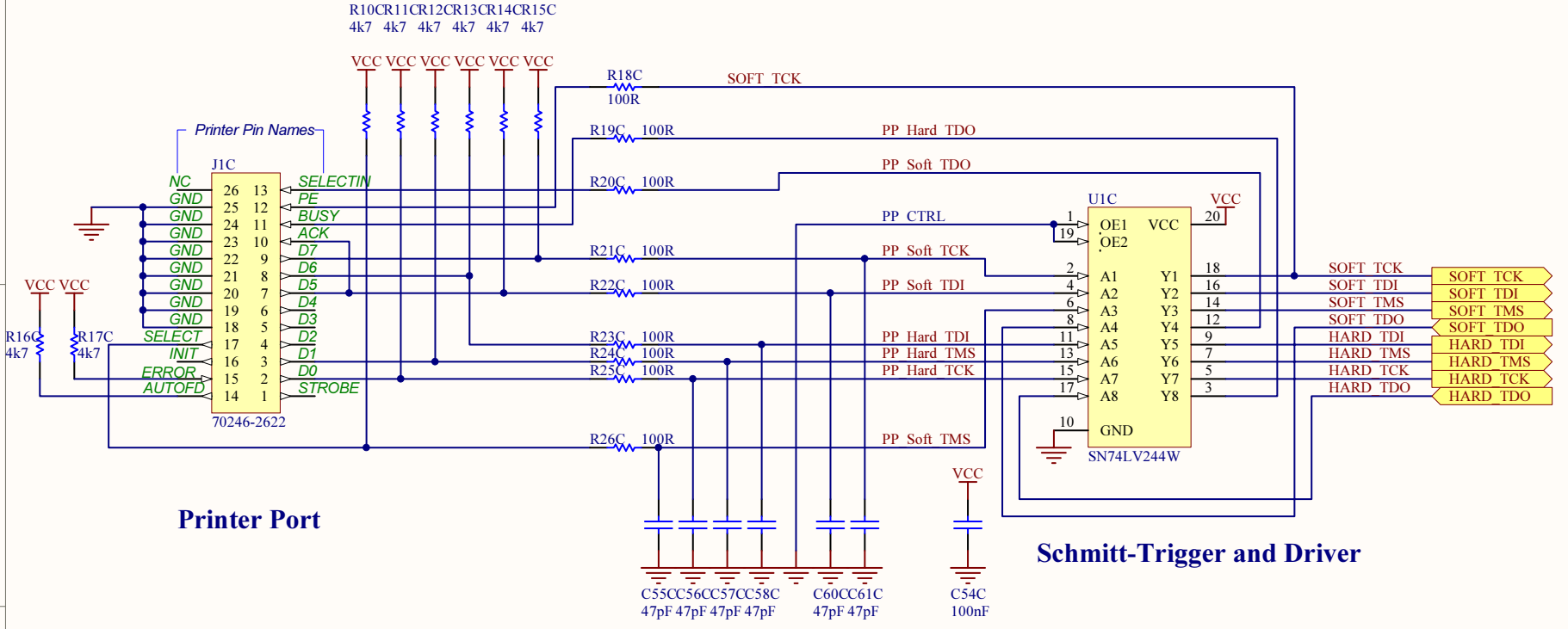




Title NEB - Audio Interface		Altium Limited L3, 12a Rodborough Rd Frerchs Forest NSW Australia 2086	
Size: A	Number:	Revision: 1.02	
Date: 30/09/2004	Time: 5:07:44 PM	Sheet 4 of 10	
File: NEB_AUDIO_OUT.SCHDOC			



Printer Port JTAG Interface (ByteBlaster Compatible)

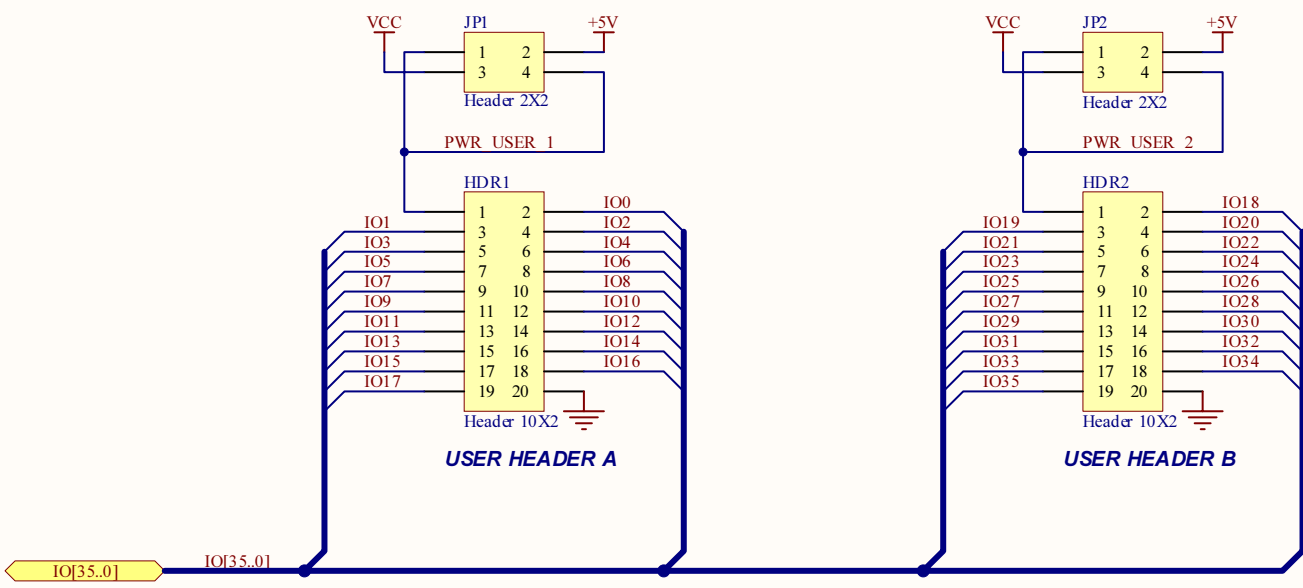


Printer Port

Schmitt-Trigger and Driver

Noise Filter & Level Converter

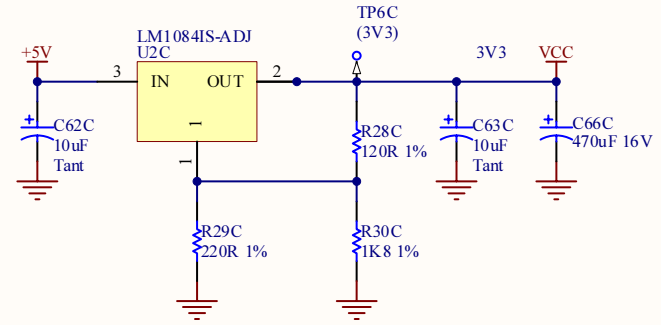
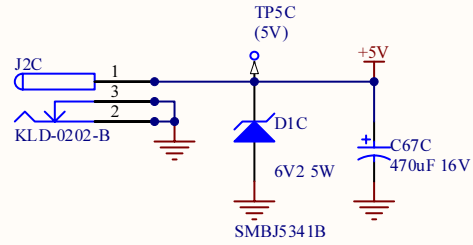
Title NEB - ByteBlaster Parallel Port Interface			Altium Limited L3, 12a Rodborough Rd Frenchs Forest NSW Australia 2086	
Size: A	Number:	Revision: 1.02		
Date: 30/09/2004	Time: 5:07:13 PM	Sheet 5 of 10		
File: NEB BYTEBLASTER_INT.SchDoc				



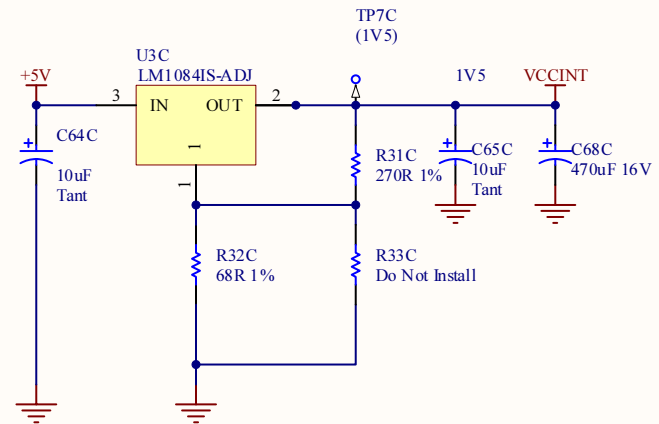
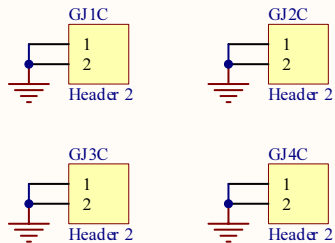
Title NEB - Users IO Interfaces		
Size: A	Number:	Revision: 1.02
Date: 30/09/2004	Time: 5:07:59 PM	Sheet 6 of 10
File: NEB_USRIO.SchDoc		

Altium Limited
 L3, 12a Rodborough Rd
 Frenchs Forest
 NSW
 Australia 2086



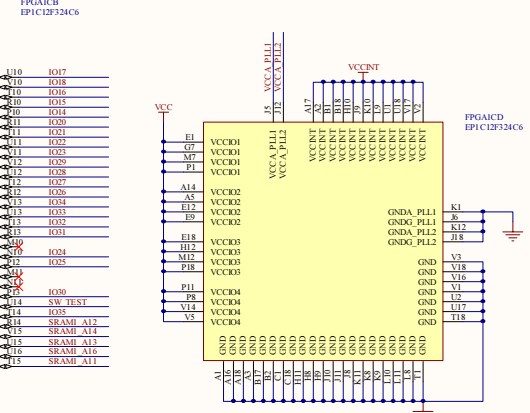
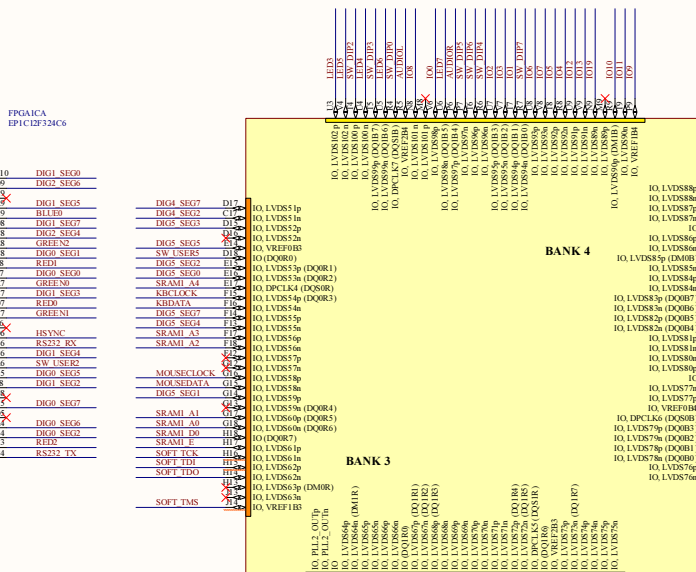
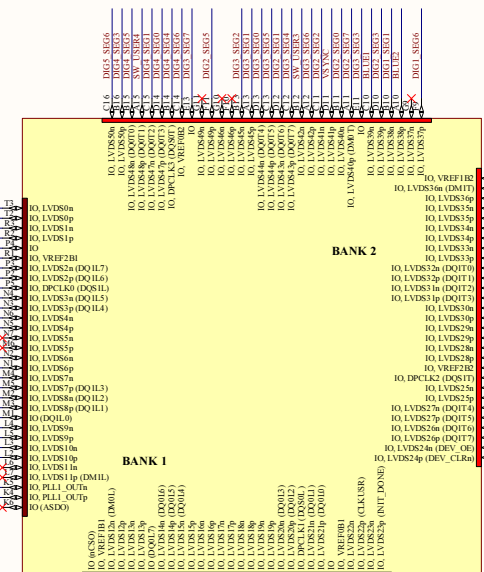
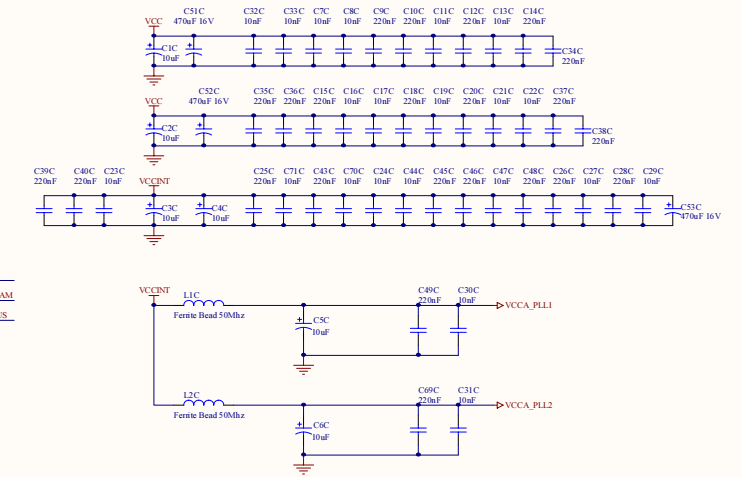
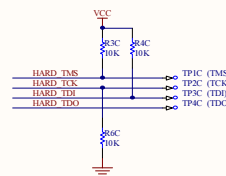
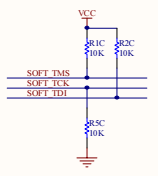
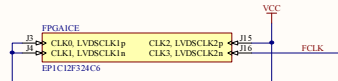
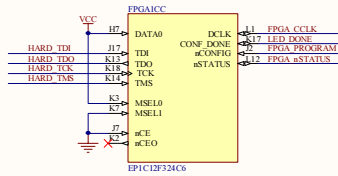
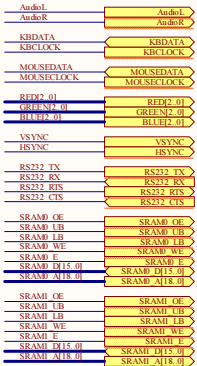
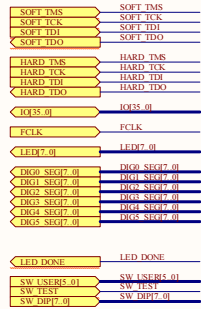


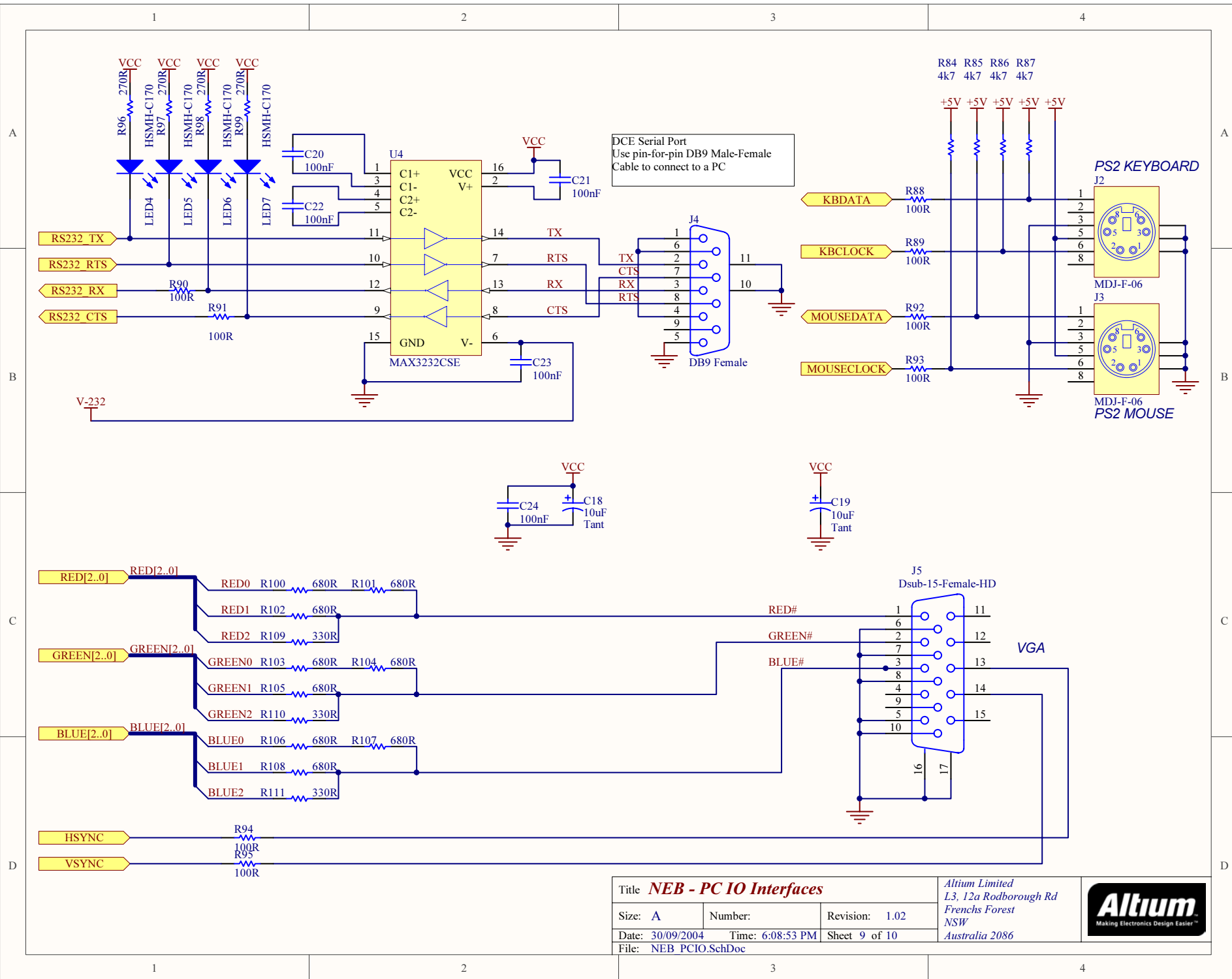
GROUNDING POINTS



Title NEB - Cyclone Power Supply		Altium Limited L3, 12a Rodborough Rd Frenchs Forest NSW Australia 2086	
Size: A	Number:	Revision: 1.02	
Date: 30/09/2004	Time: 5:08:06 PM	Sheet 7 of 10	
File: NEB PSU CYCLONE.SCHDOC			





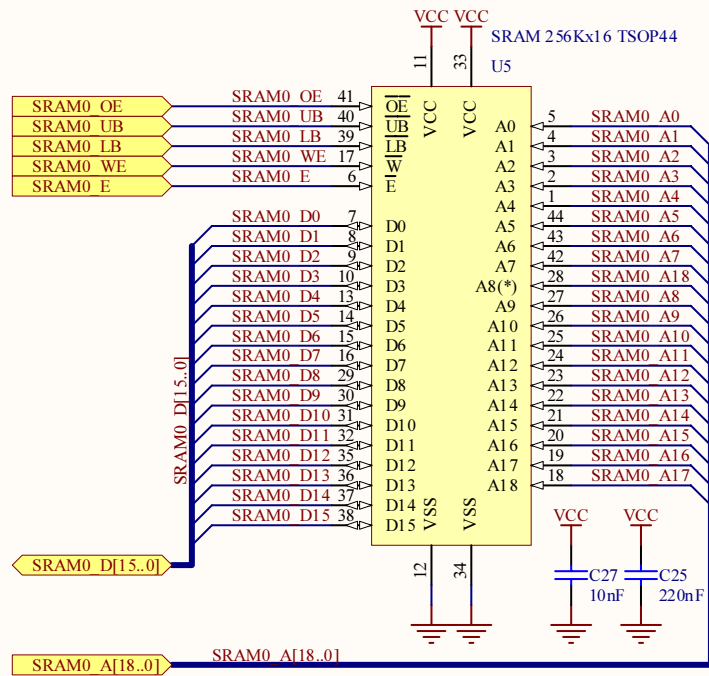


Title **NEB - PC IO Interfaces**

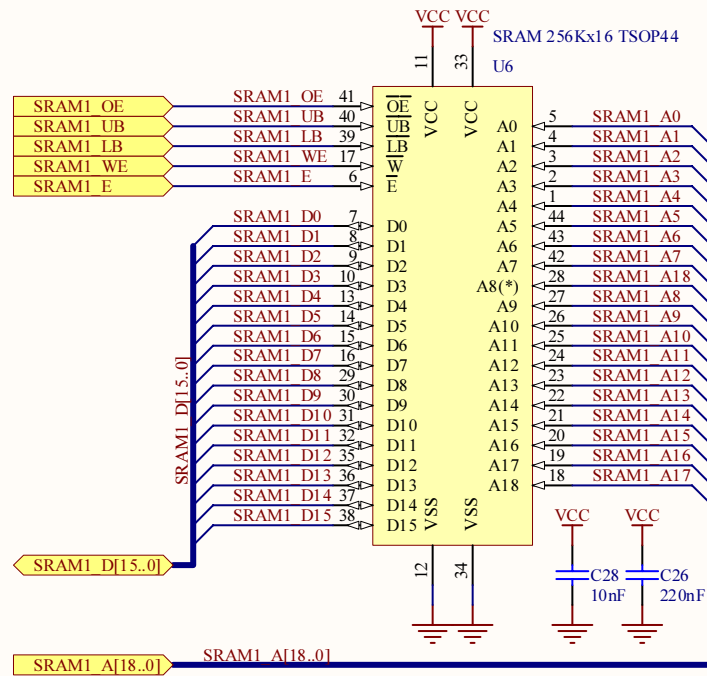
Size: A	Number:	Revision: 1.02
Date: 30/09/2004	Time: 6:08:53 PM	Sheet 9 of 10
File: NEB PCIO.SchDoc		

Altium Limited
 L3, 12a Rodborough Rd
 Frenchs Forest
 NSW
 Australia 2086





(NC on 256kx8)



(NC on 256kx8)

Title NEB - SRAM		Altium Limited L3, 12a Rodborough Rd Frenchs Forest NSW Australia 2086	
Size: A	Number:	Revision: 1.02	
Date: 30/09/2004	Time: 5:08:30 PM	Sheet 10 of 10	
File: NEB_SRAM.SchDoc			

